

The FLP Sunflower-Type Well Glass Luminaire is designed to provide uniform lighting for industrial applications. Its specially designed circular cast aluminium heat sink combines aesthetics with excellent thermal management and resistance to harsh environmental conditions, ensuring superior reliability. Featuring a separate driver compartment for easy top maintenance, this luminaire delivers exceptional performance and an extended lifespan, elevating Zone 1 & 2 industrial lighting to a new level.



FEATURES & BENEFITS

- Luminary efficacy reaches 130 lumens/Watt, which gives more than 60% of energy saving with full compliance to Industrial lighting safety standards.
- Maintain "Zero Air Gap" between MCPCB and extruded aluminium modules ensures fastest heat dissipation.
- LM-80 compliant high efficiency & Photo biologically safe LEDs
- High performance electronic driver with 440V protection for 8 Hrs. (Phase to Phase).
- High Voltage Cut-off @ $310 \pm 15V$ with Auto Restart feature.
- Along with the additional 10kV/5kA built-in surge protection device.
- Driver Compartment designed to suit top maintenance.
- Vibration, dust and heat resistant.
- No harmful UV & IR radiation
- Lifetime of over 50,000 hours at L70, which requires no lamp replacement after installation
- Ip66 level of protection against dust penetration & high pressure water jets from any direction.

PRODUCT SPECIFICATIONS

Housing & Glass Ring :

Epoxy powder coated finished Cast aluminium housing (heat sink) for effective thermal management, sturdiness & excellent corrosion resistance. Heat resists tempered glass sealed with glass ring and fixed to the housing with SS Allen bolts. Neoprene gasket is used for maintaining ingress protection.

Driver Compartment :

Epoxy powder coated finished Cast aluminium housing for sturdiness & excellent corrosion resistance. Neoprene gasket is used for maintaining ingress protection.

Note: Well Glass luminaires are provide with additional 10kV Built in surge protection device (SPD).

Light source :

High efficiency long life LED module with EMC package SMD type LED mounted on MCPCB. Lumen efficacy of LED $\geq 150 \text{ lm/W}$ with beam angle 120° for uniform distribution.

Electronic Driver :

Built in potted constant current multistage isolated LED driver with $< 10\% \text{ THD}$, $\text{PF} \geq 0.98$, Output Open /Short Circuit protection, Over Voltage protection, Surge Voltage protection & other safety tests as per IS 15885 Part-2/Sec 13 and BIS comply.

Mounting & Maintenance :

Surface mounting using fixed MS bracket of thickness 4.0 mm provided with the fixture by 3 circular slots of 12mm \varnothing at center distance of 60mm. Recommended mounting height with suitable in ground reinforcement is 5-7 m.

APPLICATIONS :

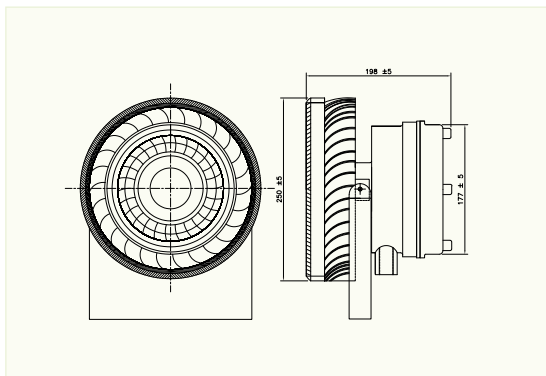
- Oil Rings & Refineries
- Mines
- Chemical Factories
- Petrochemical Industries

TECHNICAL DATA

Product Code	Ordering Code	LED Wattage	System Wattage (W)	Rated Voltage (V)	Mains Current (A)	Lumens
PLFW 539-S /50	PLFW 539 / 80 / 90	44	50	230	0.23	6800
PLFW 539-S / 60	PLFW 539 / 80 / 110	52	60	230	0.28	7600

Note: Warranty Voids for LED fixtures including Drivers, if individual points of installations are not provided with proper Earthing

TECHNICAL DRAWING



DIMENSION

Product Code	Dimension in mm		Approx Weight
	W	H	
PLFW 539-S /50	240 \varnothing	230	5.000
PLFW 539-S / 60	240 \varnothing	230	5.000