

Designed with architectural precision, the recessed-mounted Office Glow LED luminaires is an ideal for modern office environments. It provides uniform, glare-free lighting, enhancing both comfort and productivity. Suitable for Armstrong Grid Ceilings (600mm x 600mm), this energy-efficient and long-lasting LED fixture integrates seamlessly with contemporary office interiors.



**FEATURES & BENEFITS**

- Thoughtfully designed with sleek and seamless aesthetics
- High efficacy LEDs ensure a uniform and optimum light output
- Reduces energy consumption by up to 60% versus conventional PL-L lamp.
- Special grade HET diffuser for glare free lighting.
- LM-80 compliant high efficiency & Photo biologically safe LEDs
- High performance electronic driver ensure no maintenance.
- High quality of light by increase CRI up to 80 for all colour temperature.
- Lifetime of over 50, 00 hours at L70, which requires no lamp replacement after installation
- Easy to replace 2x2 luminaires.

**PRODUCT SPECIFICATIONS**

**Housing & Finish :**

CRCA housing & Front frame finished by white powder coating for sturdiness and resist to corrosion

**Optics :**

High transmittance polystyrene opal diffuser for glare-free symmetric light distribution.

**Light Source :**

High efficiency long life LED module with plastic package SMD type LED mounted on MCPCB. Lumen efficacy of LED  $\geq 135$  lm/W and viewing angle of 120° to ensure better uniformity.

**Electronic Driver :**

Powered by built-in constant current Isolated LED driver with Output open / Short-circuit protection, Surge Protection.

**Mounting :**

Suitable only for Armstrong/Grid ceiling

**Application :**

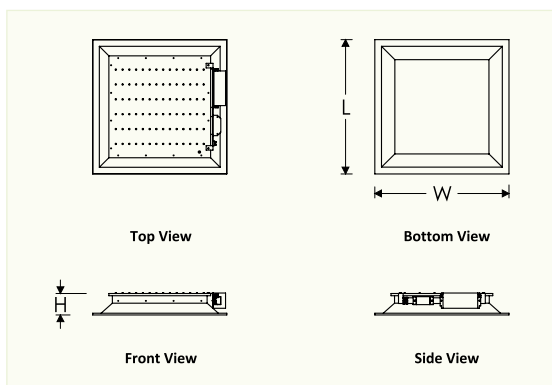
- Corporate offices
- Banks
- Conference Room
- Hospital & Hotel lobbies / Waiting areas
- Reception Areas
- Lecture Halls

**TECHNICAL DATA**

Product Code	Ordering Code	LED Wattage	System Wattage (W)	Rated Voltage (V)	Mains Current (A)	Lumens
PLRL 551 / 60	PLRL 551 / 144 / 120	54	60	230	0.30	6100

**Note:** Warranty Voids for LED fixtures including Drivers, if individual points of installations are not provided with proper Earthing

**TECHNICAL DRAWING**



**DIMENSION**

Product Code	Dimension in mm			Approx Weight
	L	W	H	
PLRL 551 / 60	600	600	95	-