

FLP Street light is an affordable LED road lighting with best in class energy efficient light source for chemical industries perimeter lighting ensuring uniform & sufficient lighting on the road. It's housing made by cast aluminium alloy ensuring excellent heat dissipation and reliable operation over committed lifetime. This luminaire delivers exceptional performance and an extended lifespan, elevating Zone 1 & 2 industrial lighting to a new level.



**FEATURES & BENEFITS**

- Higher system efficiency up to 125 lumens/Watt
- Reduces energy consumption by up to 60% versus conventional HID light.
- Maintain "Zero Air Gap" between MCPCB and extruded aluminium modules ensures fastest heat dissipation.
- LM-80 compliant high efficiency & Photo biologically safe LEDs
- High performance electronic driver with 440V protection for 8 Hrs. (Phase to Phase).
- High Voltage Cut off @  $310 \pm 15V$  with Auto Restart feature.
- Along with the additional 10kV/5kA built-in surge protection device.
- High quality of light by increase CRI up to 80 for all colour temperature.
- Vibration, dust and heat resistant.
- No harmful UV & IR radiation
- Lifetime of over 50, 00 hours at L70, which requires no lamp replacement after installation
- Complies with IP 65 ingress protection rating ensuring stable and consistent performance over product life time.

**PRODUCT SPECIFICATIONS**

**Housing :** Epoxy powder coated finished Cast aluminium housing (heat sink) for effective thermal management, sturdiness & excellent corrosion resistance.

**Glass Frame :** Tempered protective toughened glass sealed with glass ring and fixed to the housing with SS Allen bolts. Neoprene gasket is used for maintaining ingress protection.

**Light source :**

High efficiency long life LED module with EMC package SMD type LED mounted on MCPCB. Lumen efficacy of LED  $\geq 150 \text{ lm/W}$  with beam angle  $120^\circ$  for uniform distribution.

**Electronic Driver :**

Built in potted constant current multistage isolated LED driver with  $< 10\% \text{ THD}$ ,  $\text{PF} \geq 0.98$ , Output Open /Short Circuit protection, Over Voltage protection, Surge Voltage protection & other safety tests as per IS 15885 Part-2/Sec 13 and BIS comply.

**Mounting & Maintenance :**

Suitable for pole mounting with bracket Arm OD of 38mm (max.) Recommended mounting height with suitable in ground reinforcement is 3-5 m.

**APPLICATIONS :**

- Oil Rings & Refineries
- Mines
- Chemical Factories
- Petrochemical Industries

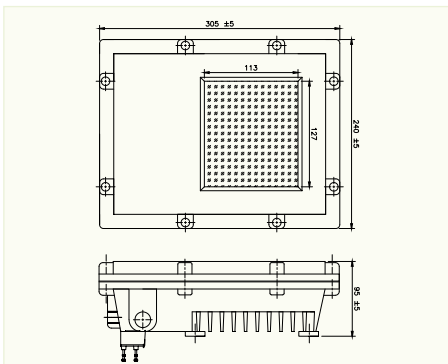
**Note:** Street Light are provided with additional 10kV Built in surge protection device.

**TECHNICAL DATA**

Product Code	Ordering Code	LED Wattage	System Wattage (W)	Rated Voltage (V)	Mains Current (A)	Lumens
PLFS 538 / 30	PLFB 538 / 42 / 100	26	30	230	0.14	3800
PLFS 538 / 45	PLFB 538 / 42 / 150	39	45	230	0.21	5550

**Note:** Warranty Voids for LED fixtures including Drivers, if individual points of installations are not provided with proper Earthing

**TECHNICAL DRAWING**



**DIMENSION**

Product Code	Dimension in mm			Approx Weight
	L	W	H	
PLFS 538 / 30	305	240	150	4.600
PLFS 538 / 45	305	240	150	4.600