

Aviation obstruction lights are high-intensity lighting devices, also known as navigation lights, installed on tall structures to enhance visibility and prevent collisions. These lights are designed to shine rather than emit extreme brightness, ensuring that tall structures remain noticeable to passing aircraft. Available in single and twin-lamp configurations, they are ideal for installation on transmission line towers, thermal power plants, and chimneys.



FEATURES & BENEFITS

- IP-66 robust design with integrated led light and electronics.
- Energy saving upto 80% when compared to conventional aviation light.
- Luminary efficacy reaches 1 cd/Watt, high efficiency 5mm 2-pin Photo biologically safe LEDs
- High performance electronic driver with protection against surge & short circuit.
- Operating with input voltage range 110 – 270 VAC.
- Available with Red/Green/White colour temperature.
- Vibration, dust and heat resistant.
- No harmful UV & IR radiation
- Lifetime of over 1,00,000 hours at L70, which requires no lamp replacement after installation
- Complies with IP 66 ingress protection rating ensuring stable and consistent performance over product life me.

PRODUCT SPECIFICATIONS

Housing & Finished:

Epoxy powder coated finished cast aluminium housing for sturdiness & excellent corrosion resistance.

Glass Ring:

Heat resists tempered glass sealed with glass ring and fixed to the housing with SS Allen bolts. Neoprene gasket is used for maintaining ingress protection.

Light source:

High efficiency long life 5mm 2-Pin LED mounted on MCPCB & circular ring. Lumen efficacy of LED 1 cd / W with 15° beam angle.

Electronic Driver:

Built in with constant current LED driver with Short Circuit protection, Over Voltage protection and Surge Voltage protection.

Mounting & Maintenance:

Surface Mounted by means circular plate provided with the Fixture.

APPLICATIONS:

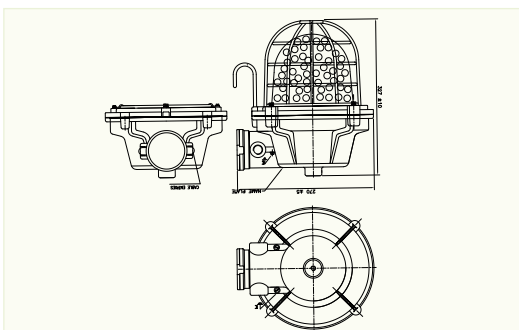
- Oil Rings & Refineries
- Mines
- Chemical Factories
- Petrochemical Industries

TECHNICAL DATA

Product Code	Ordering Code	LED Wattage	System Wattage (W)	Rated Voltage (V)	Mains Current (A)	Lumens
PLFA 539 / 10	PLFA 539 / 302 / 20	10	12	230	0.10	17 cd
PLFA 539-B / 10	PLFA 539-B / 302 / 20	10	12	230	0.10	17 cd
PLFA 539 / 2-10	PLFA 539 / 2x302 / 20	2x10	24	230	0.20	34 cd
PLFA 539-B / 2-10	PLFA 539-B / 2x302 / 20	2x10	24	230	0.20	34 cd

Note: Warranty Voids for LED fixtures including Drivers, if individual points of installations are not provided with proper Earthing

TECHNICAL DRAWING



DIMENSION

Product Code	Dimension in mm			Approx Weight
	L	W	H	
PLFA 539 / 10	270	250	330	5.850