

LED down light Featuring a simple integrated design and high system efficacy. It conforms to general lighting norms for offices, shops and other indoor applications. Also offers very good color rendering, while a diffuser cover ensures superior uniformity and glare control. Its long lifetime makes it a true 'fit and forget' solution. This down light can be used in environments requiring a 'green' general lighting solution, for instance offices, shops, hotels and hospitals.



**FEATURES & BENEFITS**

- High system efficacy, resulting in up to 70% energy savings Compared with conventional CFL down lights.
- Uniform and diffused lighting effect.
- Optimized heat sink design, enabling 50k hrs long lifetime.
- High performance electronic driver ensures zero maintenance
- Better color consistency.
- Multiple lumen packages and optics to suit most interior applications
- Environment-friendly as it does not contain Mercury.
- No harmful UV & IR radiation.
- Instant light with low running temperatures.
- Quick installation, easy to install.
- Multiple lumen packages and optics to suit most interior applications.

**PRODUCT SPECIFICATIONS**

**Housing & Glass Frame :**

Epoxy powder coated finished Cast aluminium alloy housing and aluminium sheet used as a back cover (heat sink) for effective thermal management, sturdiness & excellent corrosion resistance.

**Optics :**

High transmittance polystyrene opal diffuser for glare free symmetric light distribution.

**Light source :**

High efficiency long life LED module with plastic package SMD type LED mounted on MCPCB. Lumen efficacy of LED  $\geq 135$  lm/W and viewing angle of 120° to ensure better uniformity.

**Electronic Driver :**

Powered by an independent, constant current isolated LED driver with <20% THD, PF  $\geq 0.95$ , Output Open /Short Circuit Protection, Over Voltage protection, 2.5kV Surge Voltage protection & other safety tests as per IS 15885 Part-2/Sec 13 and BIS comply.

**Mounting & Maintenance :**

Fixing into false ceiling by means of 2 nos. SS springs clips

**APPLICATIONS :**

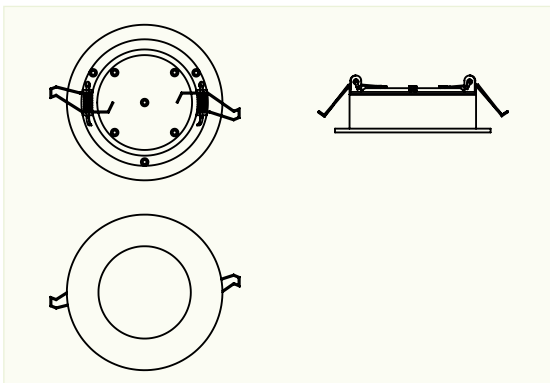
- Shopping malls
- Restaurants
- Hotel lobbies / Waiting areas
- Modern gyms / Spa
- Corporate offices

**TECHNICAL DATA**

Product Code	Ordering Code	LED Wattage	System Wattage (W)	Rated Voltage (V)	Mains Current (A)	Lumens
PLDL 561 / 6	PLDL 561 / 36 / 50	5.5	6	230	0.03	750
PLDL 561 / 12	PLDL 561 / 64 / 50	10.5	12	230	0.05	1350
PLDL 561 / 18	PLDL 561 / 100 / 50	16.5	18	230	0.08	2100

**Note:** Warranty Voids for LED fixtures including Drivers, if individual points of installations are not provided with proper Earthing

**TECHNICAL DRAWING**



**DIMENSION**

Product Code	Outer Frame Dimension		Cutoff Dimension W
	W	H	
PLDL 561 / 6	125 Ø	35	100 Ø
PLDL 561 / 12	150 Ø	35	125 Ø
PLDL 561 / 18	175 Ø	35	150 Ø